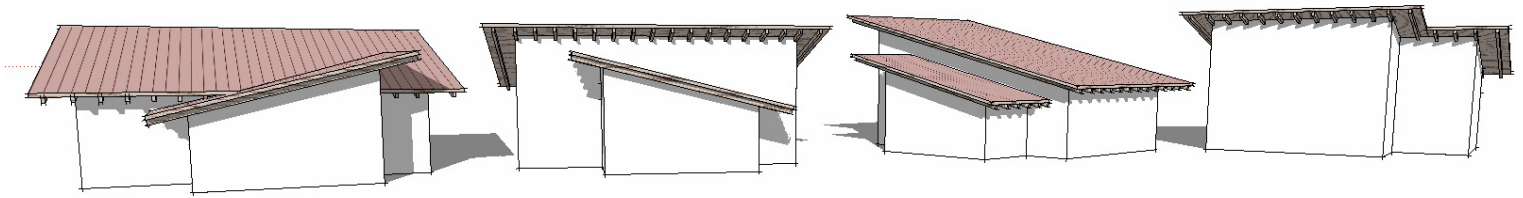


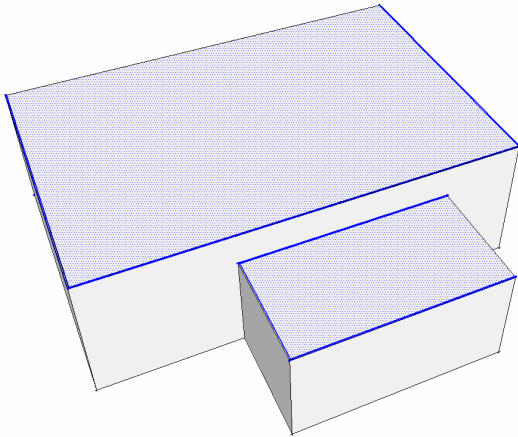
Instant Roof



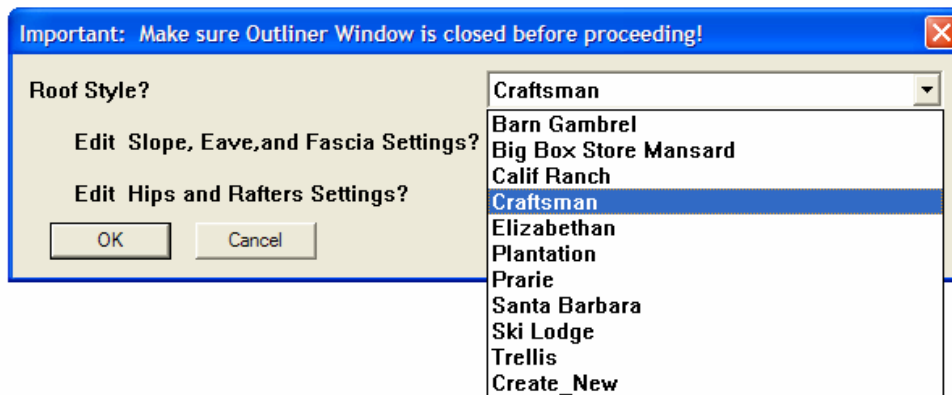
Example: Shed Roofs

Depending on which edges are selected, several different shed roofs can be created with any given geometry.

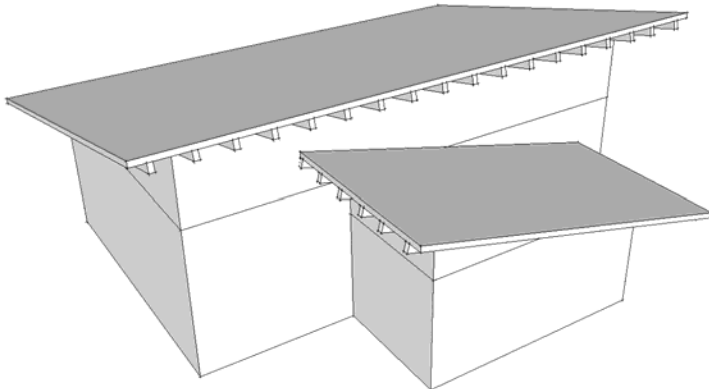
1. Draw 2 attached boxes representing a building. Select the top faces and 6 edges as shown:



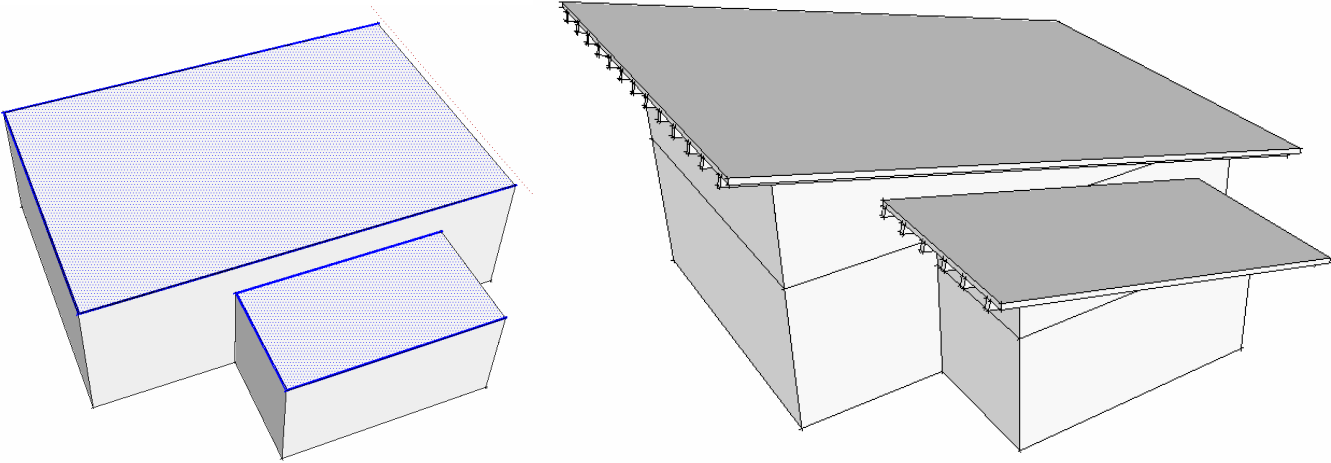
2. Choose **“Plugins/ Instant Roof/ Make Roof”**. In the pop-up menu, then choose **“Craftsman”** from the **“Roof Style?”** pull down menu.



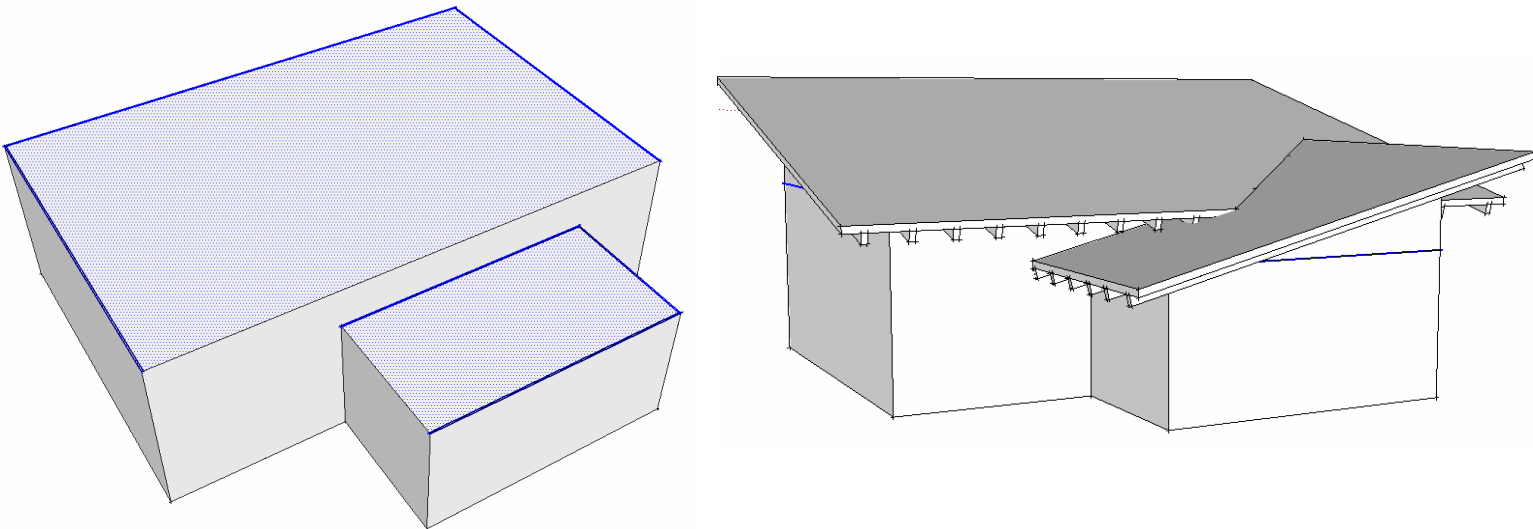
3. Choose **“OK”** to generate the roof



4. Repeat step 1, but select different edges as shown. Repeat steps 2 and 3 to generate the roof:



5. Repeat step 1, but select different edges as shown. Repeat steps 2 and 3 to generate the roof:



6. Repeat step 1, but select all but 1 top edge as shown. Repeat steps 2 and 3 to generate the roof:

