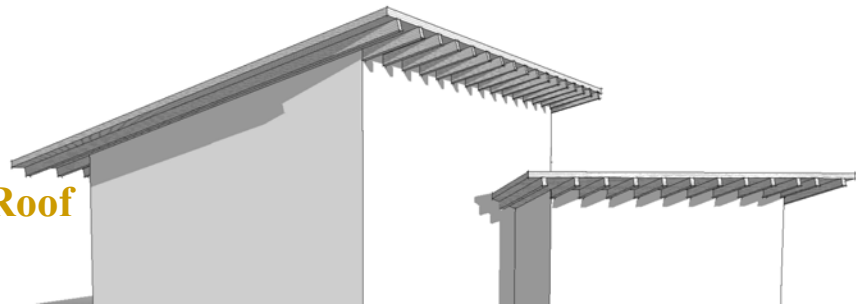
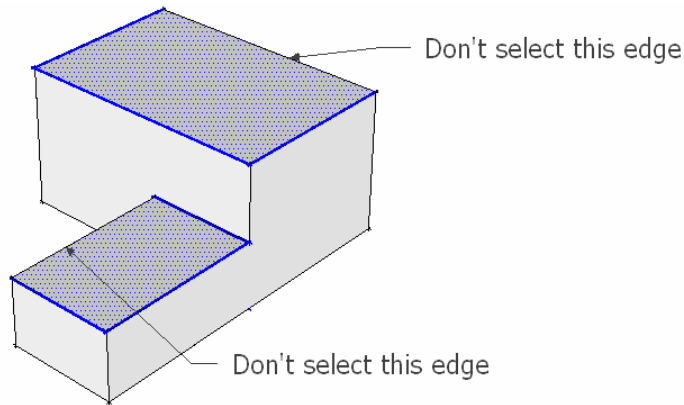


Instant Roof

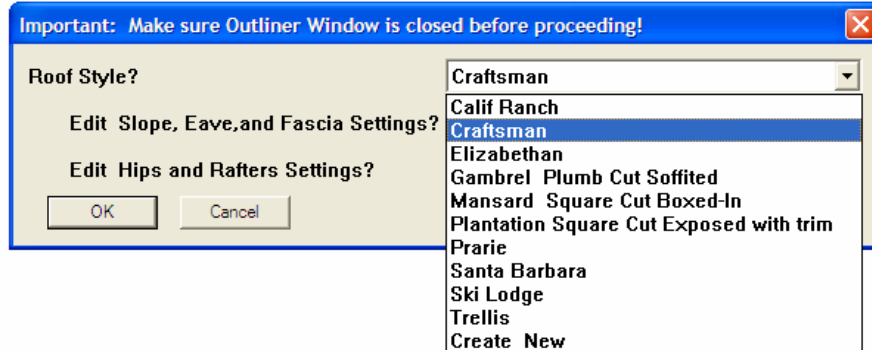
QuickStart Simple Shed Roof



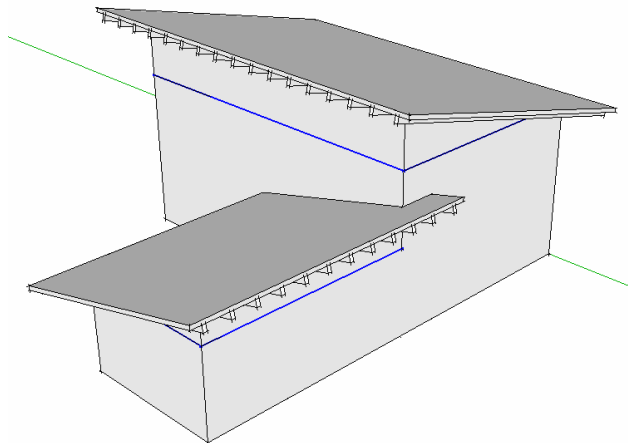
1. Draw 2 orthogonal attached boxes. The top face should be significantly higher than the lower face for this exercise. (See [Shed-Roofs.pdf](#) for some examples) Select the 2 top faces plus 3 edges on each face as shown:



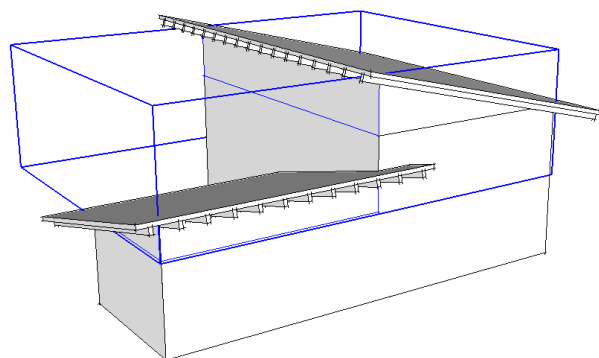
2. Choose “**Plugins/ Instant Roof/ Make Roof**”. In the pop-up menu, then choose “**Craftsman**” from the “**Roof Style?**” pull down menu.



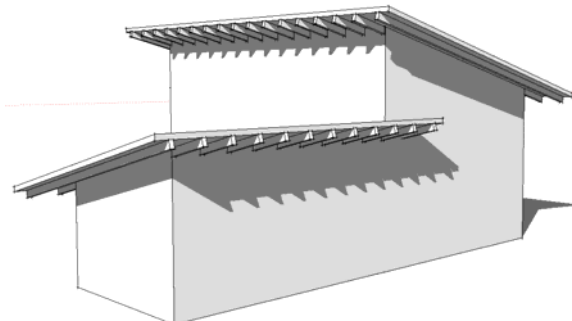
3. Choose “**OK**” to accept default parameters and generate the Shed roof.



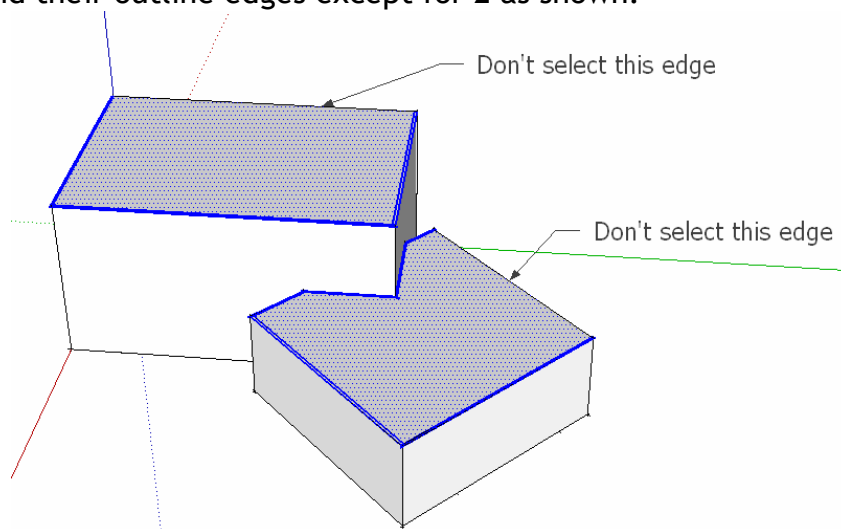
4. Right-click one of the upper wall sections to highlight the group and choose **“Explode”** from the context menu.



5. Erase the horizontal edges. Your roof should be something like this:



6. Roofs do not need to be orthogonal. Create geometry similar to below and select the 2 top faces and their outline edges except for 2 as shown:



7. Repeat steps 2-5 to create this roof:

