

Instant Roof

THE Plugin for creating roofs in SketchUp

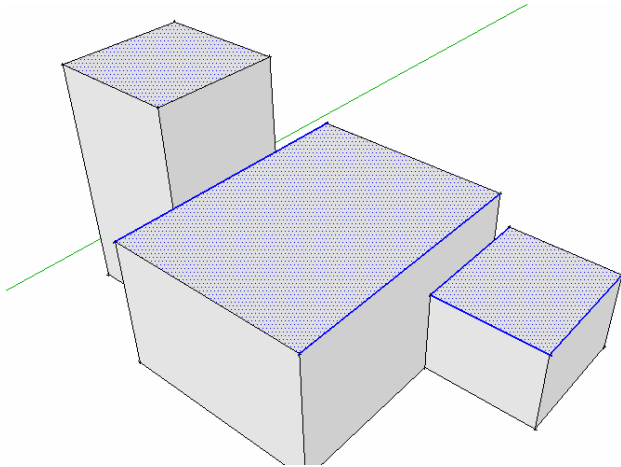
Overview

Features

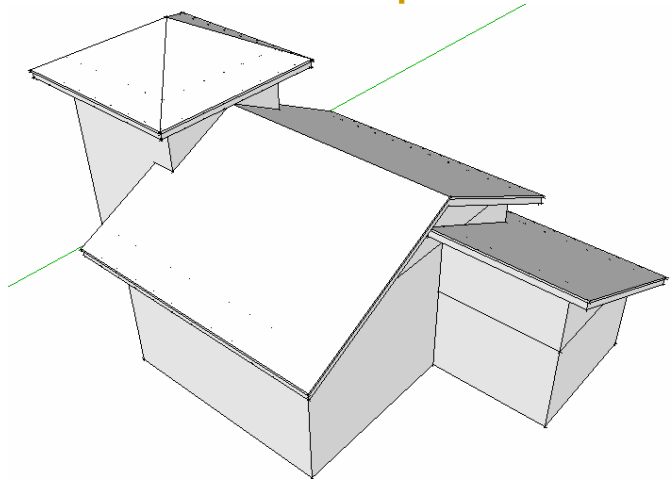
- Roof types include: Hip, Gable, Shed, Dutch-gable, Mansard, Plantation, Gambrel, Open-trellis, more
- Eave types include: boxed-in, exposed, soffit
- Creates Hips and rafters with customizable ends
- Details include: Fascia, fascia-trim, ridge and hip tiles, shingles, or sheet-metal
- Create complete mission tile or standing-seam roof
- Collections of parameter settings are saved in the model and called Roof Styles
- Use or modify the default Roof styles or create your own
- Save roof styles to external files and import into other SketchUp models

Basic Roof Creation

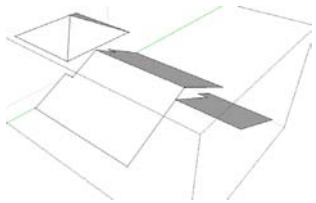
Selection:



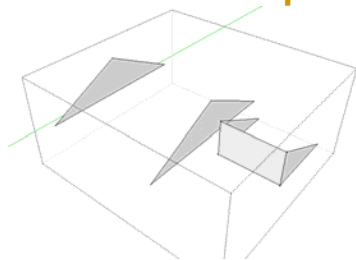
Output:



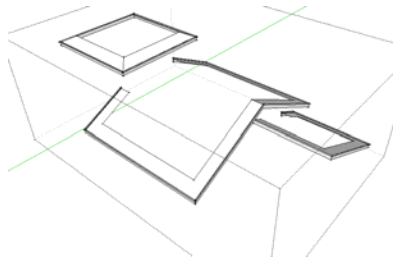
Groups added to model:



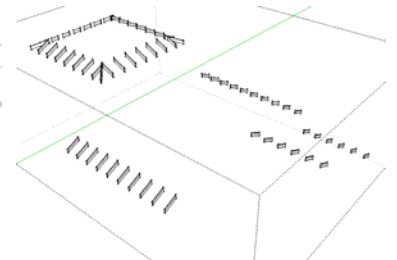
Top roof surface



Rake walls



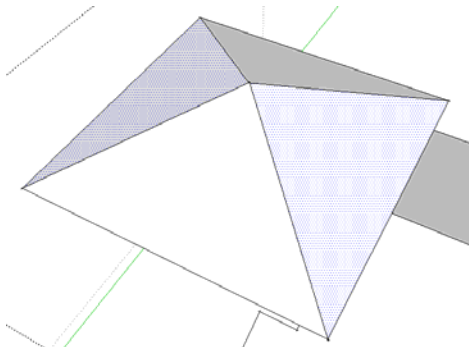
Fascia and Soffit



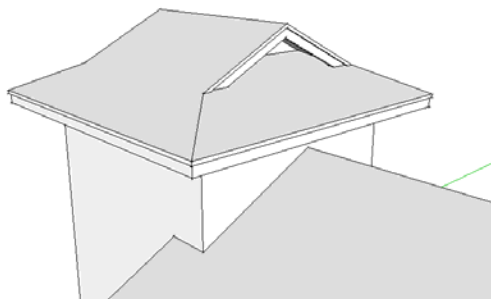
Rafters and Hips

Dutch Gable

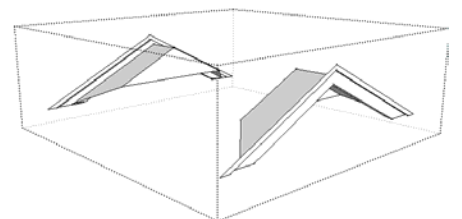
Selection:



Output:

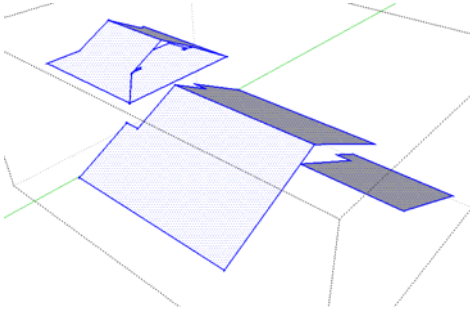


Group added to model:

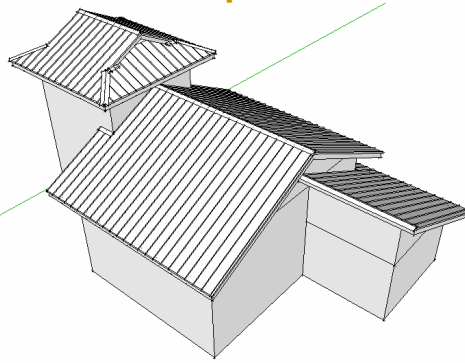


Add Roof Details

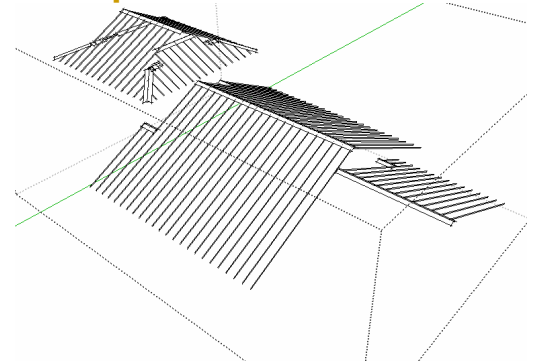
Selection:



Output:



Group added to model:



Parameters and Roof Styles

There are many parameters settings:

Calif Ranch - Roof & Eave Parameters

Roof Slope	6:12
Make Eaves?	yes
-Eave Width	2'
-Gable Eave Width	2'
-Eave Type	Plumb Cut Exposed
-Fascia Height	8 1/2"
-Fascia Thickness if Exposed Eave	1 1/2"
-Add Fascia Trim?	yes
-Trim Width	1"
-Trim Height	2"
Roof Thickness if Exposed Eave	2"
Make Shed Upper Eave?	yes
Make Double Slope Roof?	no
-Height at slope change	6"
Upper Slope	8:12
Make Mansard?	no
-Height at top of Mansard	1' 6"
-Mansard wall height	10"

OK Cancel

Calif Ranch - Hip & Rafter Parameters

Make Hips?	yes
_Hip Width	1 1/2"
_Hip Depth	6"
_End Component/Rafter Length Ratio	1/4
Make Rafters?	yes
_Rafter Width	1 1/2"
_Rafter Depth	5 1/2"
_Rafter Spacing	2'
_Place Barge Rafter?	no
_Barge Rafter Inset	1'
_End Component/Rafter Length Ratio	1/4
Make Rafter and Hip Top Surfaces?	no

OK Cancel

So to manage them, collections of settings is saved as named Roof Styles:

Important: Make sure Outliner Window is closed before proceeding!

Roof Style? Calif Ranch

Edit Slope, Eave, and Fascia Settings?

Edit Hips and Rafters Settings?

OK Cancel

- Barn Gambrel
- Big Box Store Mansard
- Calif Ranch
- Craftsman
- Elizabethan
- Plantation
- Prarie
- Santa Barbara
- Ski Lodge
- Trellis
- Create New