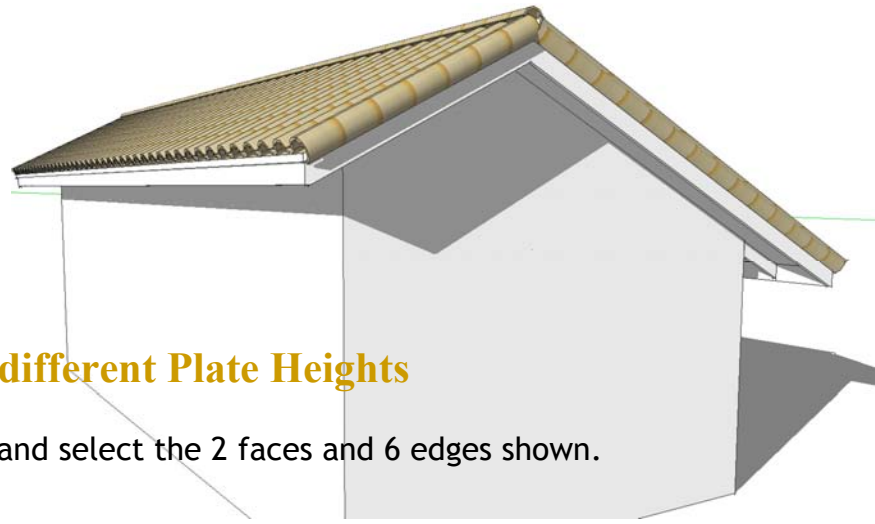
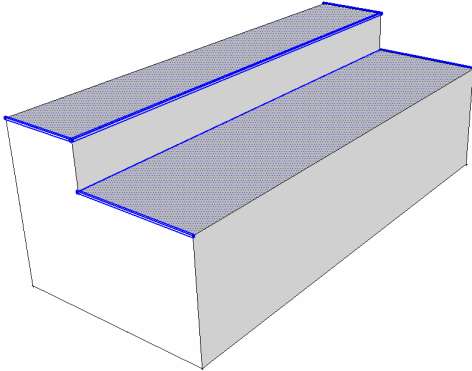


# Instant Roof

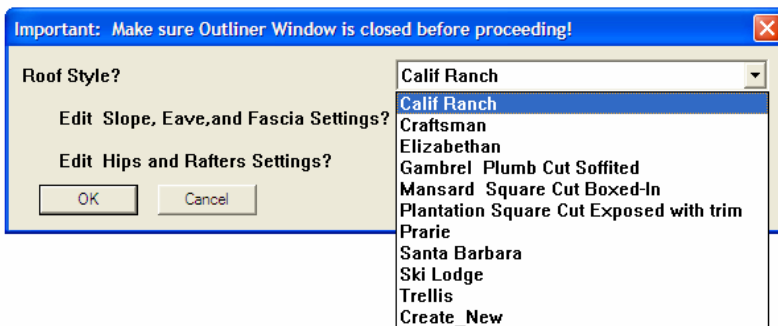


## Example: Gable Roof with different Plate Heights

1. Draw a building something like this and select the 2 faces and 6 edges shown.



2. Choose “**Plugins/ Instant Roof/ Make Roof**”. In the pop-up menu, then choose “**Calif Ranch**” from the “**Roof Style?**” pull down menu.



3. Choose “**OK**” to accept default parameters and generate the roof. The script should draw something like this.

